

# SPARTON RADIO SERVICE MANUAL

(ORIGINAL) EFFECTIVE JUNE 1, 1936

MANUAL 2 BULLETIN 30-1

## Schematic Diagram and Voltage-Resistance Chart Sparton A. C.-D. C. Superheterodyne Models

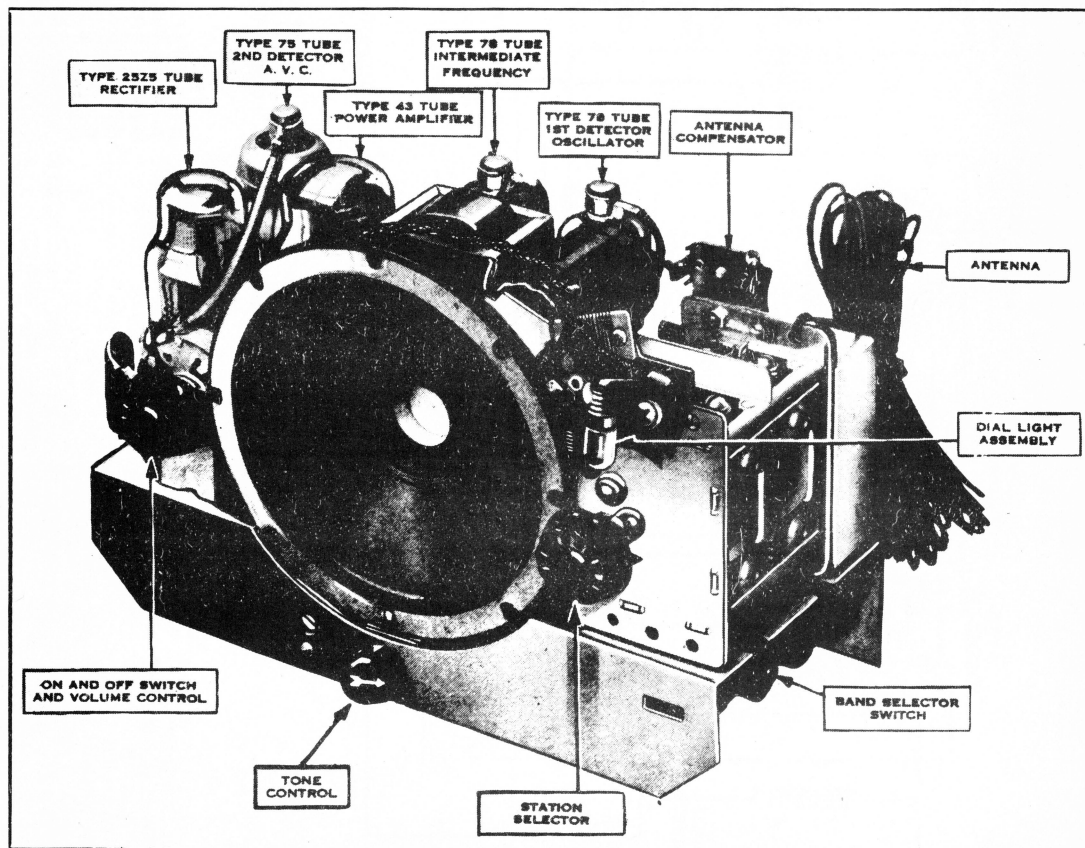
506 566 594

Line Supply — A. C.  
Line Voltage — 119

Position of Volume Control — Full with Antenna Disconnected  
Position of Band Selector Switch — Short-Wave

Tube	Function	Voltage and Resistance of Each Socket Prong to Ground (See Prong Numbers on Schematic Diagram)							Grid Cap
		Measurement	Prong No. 1	Prong No. 2	Prong No. 3	Prong No. 4	Prong No. 5	Prong No. 6	
78	1st Detector-Oscillator	Volts	81	115	115	**	22	31	15
		Ohms	700	70,000	70,000	**	2500	700	2100
78	I-F Amplifier	Volts	31	115	115	4	4	31	**
		Ohms	700	50,000	50,000	300	300	700	1,000,000
75	2d Detector-A.V.C.	Volts	31	**	**	**	**	31	**
		Ohms	700	500,000	500,000	500,000	100	700	500,000
43	Power Amplifier	Volts	31	107	115	**	**	31	—
		Ohms	700	50,000	50,000	500,000	0	700	—
25Z5	Rectifier	Volts	31	118	115	95	116	31	—
		Ohms	700	850	45,000	3500	900	700	—

NOTES: Voltage and resistance readings are for schematic diagram shown. See note under schematic diagram. Allow 15% + or - on all measurements. Always use meter scale which will give greatest deflection within scale limits. All measurements made with Weston Selective Analyzer No. 665, Type 1.  
\*\*Cannot be measured with Weston No. 665, Type 1.



MODEL 594 CHASSIS

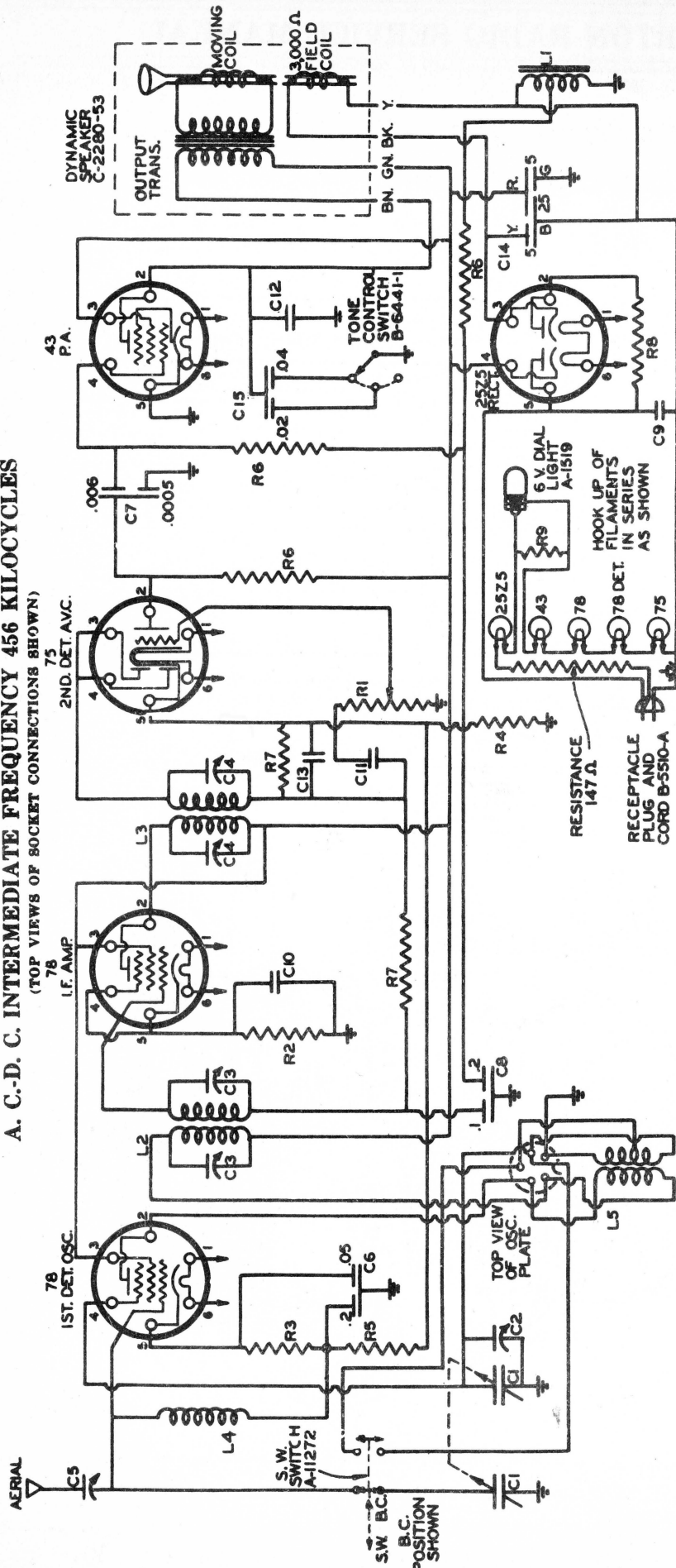
THE SPARKS-WITHINGTON COMPANY  
Jackson, Michigan, U.S. A.

SPARTON Radio Service Manual

Place this Bulletin in your

# SPARTON MODEL 506 566 594 SUPERHETERODYNE SCHEMATIC DIAGRAM

## A. C.-D. C. INTERMEDIATE FREQUENCY 456 KILOCYCLES (TOP VIEWS OF SOCKET CONNECTIONS SHOWN)



- C1 VARIABLE CONDENSER
- C2 ADJUSTABLE CONDENSER
- C3 NO.1 I.F. TRIMMER
- C4 NO.2 I.F. TRIMMER
- C5 ANTENNA TRIMMER
- C6 .05-.2 MFD. 100 V.
- C7 .006-.0005 MFD. 400 V.
- C8 1-2 MFD. 100 V.
- C9 .025 MFD. 400 V.
- C10 .1 MFD. 100 V.
- C11 .006 MFD. 400 V.
- C12 .01 MFD. 200 V.
- C13 .0005 MFD. MOLDED
- C14 5-25-5 MFD. ELECTROLYTIC
- C15 .04-.02 MFD 200 V
- R1 500,000 Ω VOL. CONTROL
- R2 400 Ω WIREWOUND
- R3 290 Ω WIREWOUND
- R4 100 Ω WIREWOUND
- R5 2,200 Ω WIREWOUND
- R6 300,000 Ω .25 W.
- R7 500,000 Ω WIREWOUND
- R8 50 Ω WIREWOUND
- R9 25 Ω WIREWOUND
- R1 147 Ω RESISTANCE
- R2 500,000 Ω VOL. CONTROL
- R3 400 Ω WIREWOUND
- R4 290 Ω WIREWOUND
- R5 100 Ω WIREWOUND
- R6 2,200 Ω WIREWOUND
- R7 300,000 Ω .25 W.
- R8 500,000 Ω WIREWOUND
- R9 50 Ω WIREWOUND
- R10 25 Ω WIREWOUND
- L1 TAPPED CHOKE
- L2 NO.1 I.F. TRANSFORMER
- L3 NO.2 I.F. TRANSFORMER
- L4 PRE SELECTOR COIL
- L5 OSCILLATOR COIL
- A-11474
- A-9553
- A-1499
- A-11092-7
- A-11092-2
- A-11476
- A-1477
- A-9601
- A-11504
- A-9566
- A-11480
- B-5243-30
- B-5243-36
- B-5243-37
- B-5243-13
- B-5737-3
- B-5737-5
- B-6061-1
- A-9647
- A-11474
- A-9553
- A-1499
- A-11092-7
- A-11092-2
- A-11476
- A-1477
- A-9601
- A-11504
- A-9566
- A-11480
- B-5243-30
- B-5243-36
- B-5243-37
- B-5243-13
- B-5737-3
- B-5737-5
- B-6061-1
- A-9647